

# Glass Craft Engineering



glass  
craft  
engineering

---

Company Profile

# E X E C U T I V E S U M M E R Y



Glass Craft Engineering Limited is committed to providing solution of architectural glass fenestration, facade, door & windows with the vision of delivering the highest level of efficiency and effectiveness. Triple glazing, double glazing and single glazing solutions for building glass, doors and windows will look even better as we are here to serve you. Our solutions will give you sound proof and water proof air tight building glass, doors and windows which will serve your requirements in commercial and residential buildings. We are here to serve for the long run and to provide you the best possible after sales that will assure our existence and also satisfy your future needs. The glass, aluminum and all other materials are of excellent Chinese brands and we will ensure the quality of assembling in our partner factory. Our vision is to create a new era in the commercial & residential building glass wall, door and window sector at a competitive price with superiority in the quality. Our workmanship will serve your building in the long run and our goal is simply to give you the top most priority and satisfaction.



# Our Management



Azizul Huque  
Chairman

Mr. Azizul Huque Managing Director of Golden Harvest InfoTech and Director of Golden Harvest group, holds a University Higher diploma in Computer Science from Staffordshire University. Having vast experience extended over 23 years on a vast diversified Business Sectors including Information Technology business, has enabled him to have a comprehensive knowledge in the business dynamics and current local and international business modalities of different countries.



Abdul Huque  
Managing Director

Mr. Abdul Huque, Chief Executive of Golden Harvest InfoTech Limited, holds a graduate in Information Technology from the University of Oxford. A true techno-nerd working with technology most of his life a full-time programmer, full-time system designer, professional system administrator, and database administrator for the last 35 years. By education an engineer, by profession an IT architect, by the passion for pioneering and inventing technology. In the 90s he launched two of the renowned ISPs in Bangladesh. He was a technical team-lead for introducing third party card processing system and also led acceptance testing of the Chittagong Stock Exchange.



Engr. Sheikh Tahsin Ahmad  
Executive Director

Engr. Sheikh Tahsin Ahmad is graduated from Khulna University of Engineering & Technology (KUET) and done MBA. He has long 28 years of business and professional experience. He is CEO of an ICT company SoftRight Computers. He is acting as Executive Director of Reciprocity World Trade Ltd. and Glass Craft Engineering Ltd.

# Foreign Associates

Glass Craft Engineering Ltd., is working with Façade Solutions as foreign associates for technical advice and consultancy. Façade Solutions is a Bahrain based company with international reach, having executed projects in over 15 countries. Façade Solutions provides integrated solutions in façade technologies, specialized in design, engineering and contracting services with an aim to exceed clients' expectations with respect to professional services and quality.



Glass Craft Engineering Ltd., is working with Shenzhen Maohua Construction Group Co., Ltd., to keep up with modern state of the art technologies in construction and glass fabrications. Maohua is China based construction & glass fabrication company, it was founded in 1984 and originated from the Chinese military, it was separated from the state-owned enterprise in 2009. After more than 30 years of development, it is a comprehensive construction company with construction engineering as the main body, material trade, technical manpower support with advance engineering skills.





# Our Supplier



SILANDE



CRYSTONE®

# A B O U T   G L A S S   C R A F T   E N G I N E E R I N G

## •DESIGN CURTAIN WALL SYSTEM

•A curtain wall system is an outer covering of a building in which the outer walls are nonstructural, but merely keep the weather out and the occupants in. As the curtain wall is nonstructural it can be made of a light weight material, reducing construction costs. When glass is used as the curtain wall, a great advantage is that natural light can penetrate deeper within the building. The curtain wall system is designed to withstand wind and earthquake loads, to reduce air leakage, control vapor diffusion, avoid rain penetration, prevent surface and cavity condensation and limit excessive heat loss (or heat gain). It is furthermore designed to resist noise and fire.

## •SUGGEST GLAZING SOLUTION

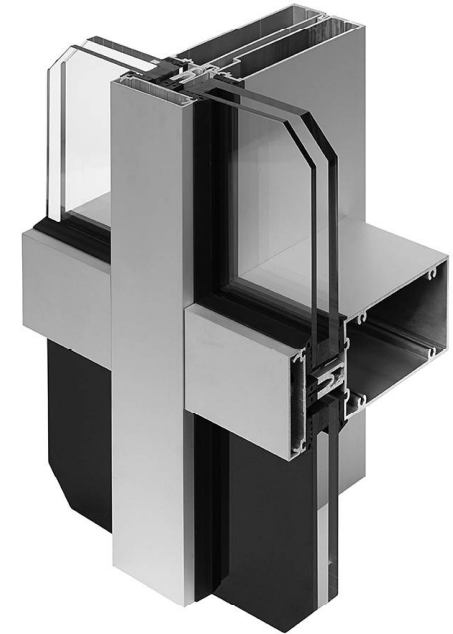
•We are committed to our customers and provide you with regular offers, discounts and the very best in Double and triple Glazing deals. Using our service will not only save your hours of searching, but it will also save your money!

## •CUSTOMER SERVICE

•Customer service is an essential part of our job and should not be seen as an extension of it. A company's most important asset is its customers and we are in business to serve our customers' wants and needs. Without them, we would not be capable enough to endure in business. When a customer is satisfied, they not only help us expand by continuing to do business with us, but suggest to friends and associates.

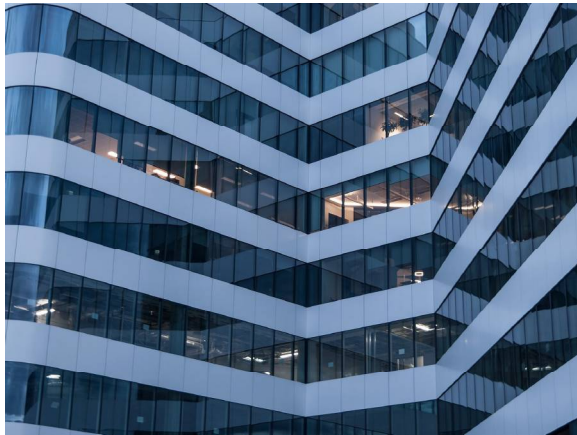


# Services



- Glass Curtain Wall System***
- Tempered Insulated Glass
  - Aluminum Profile
  - Hot Dip Galvanized Steel
  - Structural & Weather Proof Silicone Sealant
  - Fire Barrier

# Services



- Single Floor Glass Curtain Wall System***
  - Tempered Insulated Glass
  - Powder/PVDF Coated Aluminum Profile
  - Structural & Weather Proof Silicone Sealant
  - Capping Materials



# Services



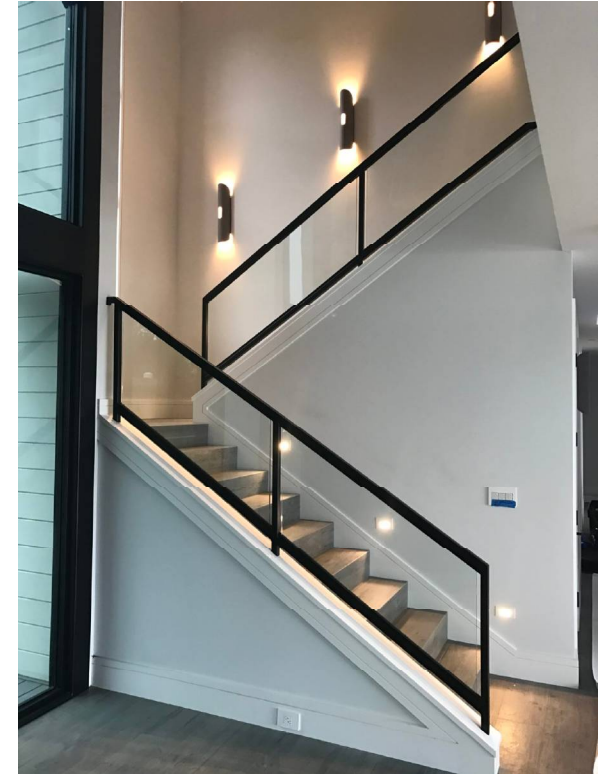
- Internal Glass Partition***
- Tempered Clear Glass
- Tempered Clear Glass Fin
- Structural & Weather Proof Silicone
- Capping Materials

# Services



- Glass Swing Door***
- Tempered Clear Glass
  - Hairline Matt Finished
  - Stainless Steel Hardware Materials
  - Structural & Weather Proof Silicone

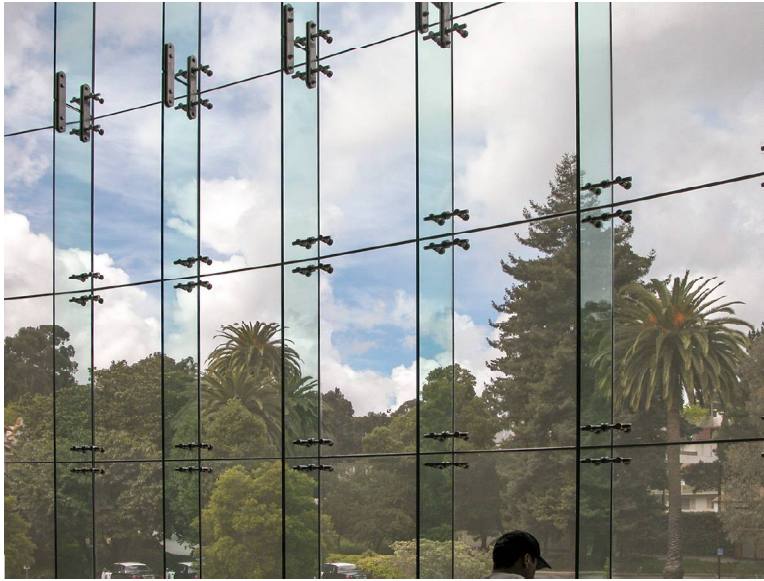
# Services



- Glass Railing***
- Tempered Laminated Glass
  - Hot Dip Galvanized MS Profile
  - Stainless Steel
  - Point Fixing System with Spider



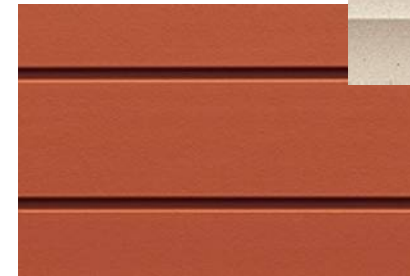
# Services



- ***Point Fixing Glazing System***
  - Tempered Clear Glass
  - Hot Dip Galvanized Steel
  - Stainless Steel Point Spider
  - Capping Materials
  - Fire Proof Rock Wool



# Services



- Ventilated Facade***
- Acoustic Insulation
  - Fire and Heat Insulation
  - Does not Fade
  - Light Weight

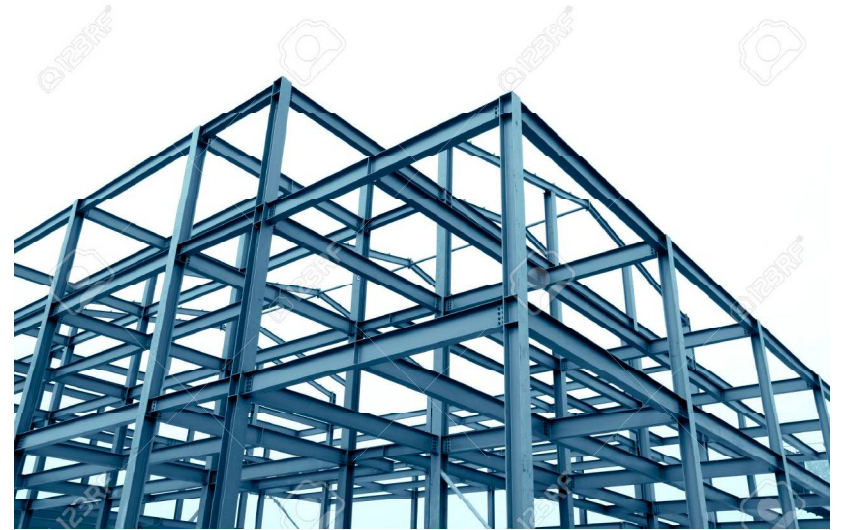
# Services



- Stationary Louver System***
- Powder/PVDF Coated Aluminum Profile
  - Hot Dip Galvanized Steel



# Services



***Steel Structure***  
- Steel Section  
- Epoxy Enamel/Zinc Rich Painted  
Surface Treatment

# Services



- Glass Canopy & Glass Skylight***
  - Tempered Laminated Glass
  - Hairline Matt Finished Stainless Steel Spider
    - Hot Dip Galvanized Steel
    - Water Drainage System
  - Structural & Weather Proof Silicone- Capping Materials



# Services



- Casement Door & Window***
- Tempered Insulated Glass
- Powder/PVDF Coated Aluminum Profile
- Hairline Matt Finished Stainless Steel Hardware Accessories
- Structural & Weather Proof Silicone Sealant

### ***Swing Window***

Feature: Large openable area, well-ventilated, good performance in air tightness, sound insulation, thermal insulation and impermeability.

Elevation modeling: swing, swing + fixed etc.

Application: veranda, bed room and stair outside wall etc.



### ***Top Hung Window***

Feature: make sure ventilation and safety as the same time because only 10cm gap is allowed to open due to the hinge.

Elevation modeling: top hung, top hung + fix etc.

Application: toilet and stair outside wall etc.

## Accessories



### ***Inside Swing & Bottom - Hung Window***

Features:

Multi-point lock seal makes the airtightness of window greatly enhanced, which has good performance in heat and sound insulation.

Design of multi-point lock enhances the anti-theft performance of the window.

Use of down hung, it can effectively avoid the followings:

- Interior natural ventilation without blowing the body directly.
- Avoid the malpractice of windows in bad weather
  - without occupying inside space.
- It solves the conflict of natural ventilation and burglarproof needed at the same time in washing room



## Accessories



### ***Swing Door***

Features:

- Large openable area, well-ventilated, good performance in air tightness, sound insulation, thermal insulation and impermeability.
- Elevation modeling: Single swing door, double swing door, swing + fixed etc.
- Application: living room veranda, bed room veranda, and inside partition etc.



### ***Sliding Window***

Features: Sliding windows do not occupy the advantages of interior space, the appearance is beautiful, price is affordable, and also offers better sealing.

Use of high-grade rail ensures the flexibility. Coupled with large pieces of glass to increase indoor lighting and also to improve the overall appearance of the building. Sash cannot be easily damaged even in case of high force.

-Elevation modeling: two sash sliding, four sash sliding, sliding + fitted etc.

-Application: veranda, bed room, stair, outside wall etc.

# Accessories



### ***Sliding Door***

Features: The sliding doors do not occupy much space of the inner side.

With aesthetic beauty, sliding door makes proper division of the room.

The sliding doors allow the sun ray to enter the room which makes the room look gorgeous. The balcony is equipped with smooth noise proof and excellent sliding door to enjoy the sunshine and scenery.

-Facade design: two sash sliding, four sash sliding, two sash sliding + two fixed, sliding+ fixed etc.

-Application: Living room veranda, bed room veranda, and inside partition etc.





### **Lift-slide Door**

- Small occupied space but large opening space
- Widely-used series
- Flexible operation
- Excellent anti-theft function
- Heavy opening sash
- High seal function

-Common façade shapes: one sash lift + one fixed, two lift, two lift + one fixed (centered), two lift (centered) + two fixed, four lift, etc.  
If necessary, fixed window can be added

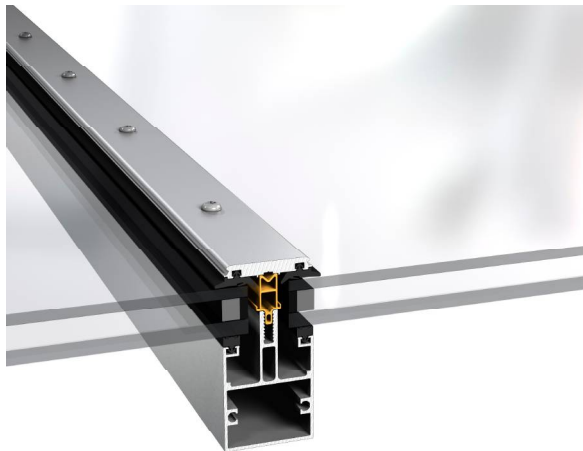
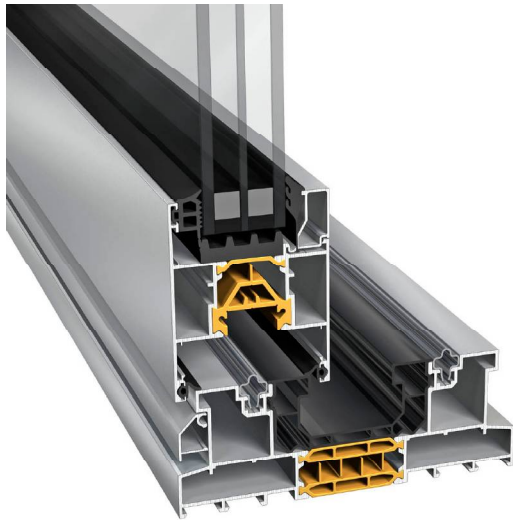
-Application: living room veranda, bed room veranda, and partition etc.

## Accessories

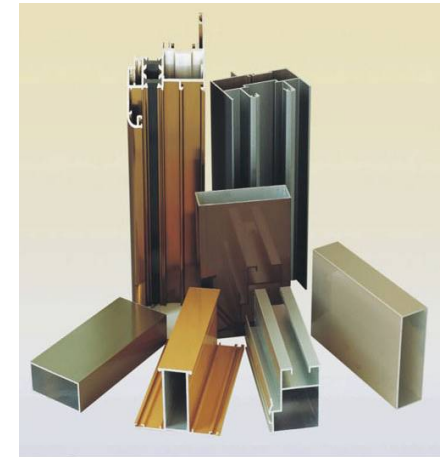


### **Folding Door**

- Folding doors advantages: good-looking and elegant, innovative style, diverse patterns
  - Easy to use, flexibility of pushing and pulling, small occupied space
  - The door is light & heat insulated, damp proof, noise resistant and sound resistant
  - Easy and quick installation
- Application: Living room veranda, bed room veranda, and inside & outside partition etc.



## Accessories



### ***High Insulated Aluminum Alloy Push-Pull System***

- Dimensions, guaranteed permeability
- Level the threshold to enhance comfort
- The additional thermal insulation area makes the system more effective in heat insulation.
- Hollow profiles make the system more robust and insulated.
- Foam in framing profile and outer frame profile
- Filling heat insulation strip to ensure the best thermal insulation performance

# INDEX POINT

300ft, Dumni, Dhaka





# Sursaptak Banani Underpass

Banani, Dhaka





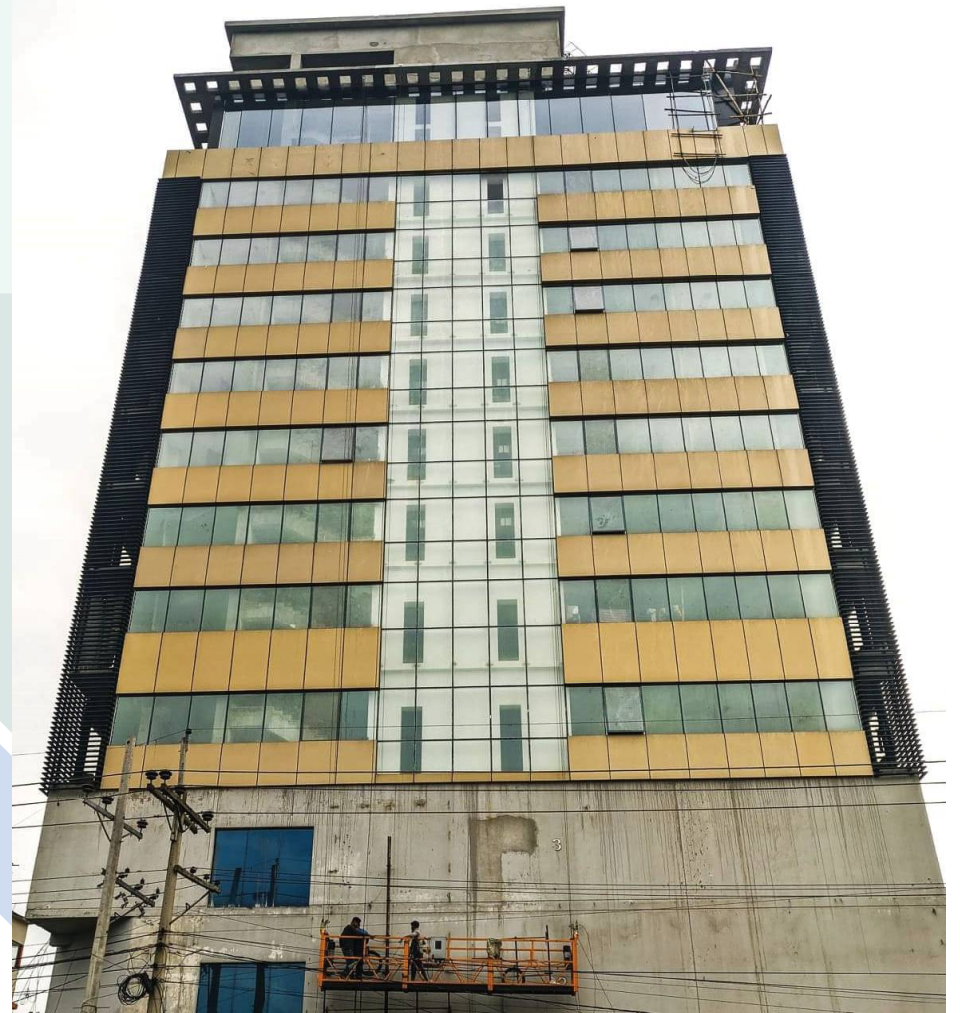
# INDEX PLAZA

Rajshahi



# INDEX PLAZA

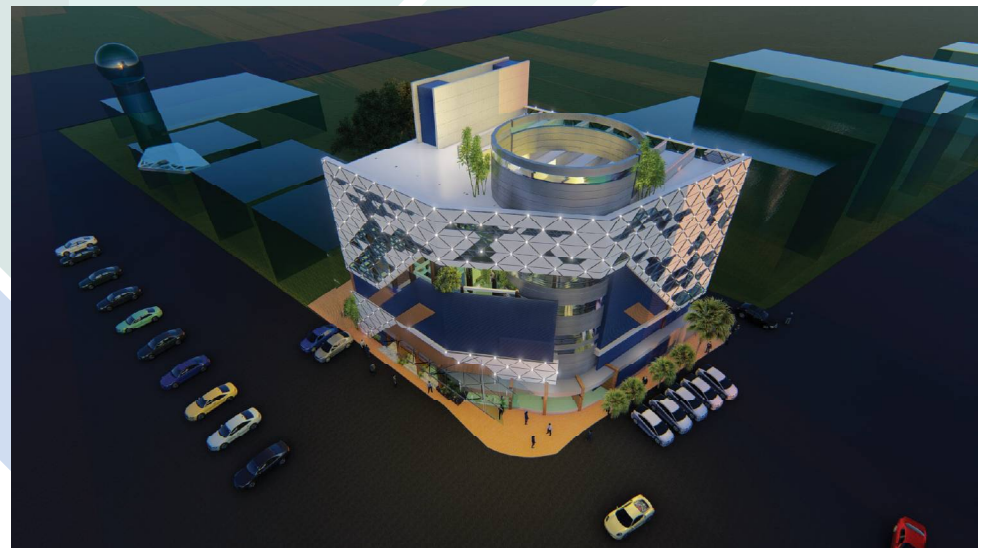
Baburhaat, Narshingdi





# IRFAN MARKET

New Market, Khulna



# RAJ SQUARE

Shonadanga, Khulna







# PARLIAMENT HILL

Shangshad Bhaban Avenue, Dhaka

# NORDIC WOOD MOSQUE

Khulna



Design by **SHOMOTOF ARCHITECTS**  
cell.+8801711- 38 25 29, email-bappiwaz@gmail.com

# INDEX RESTAURANT

300ft, Dumni, Dhaka





# Ninakabbo

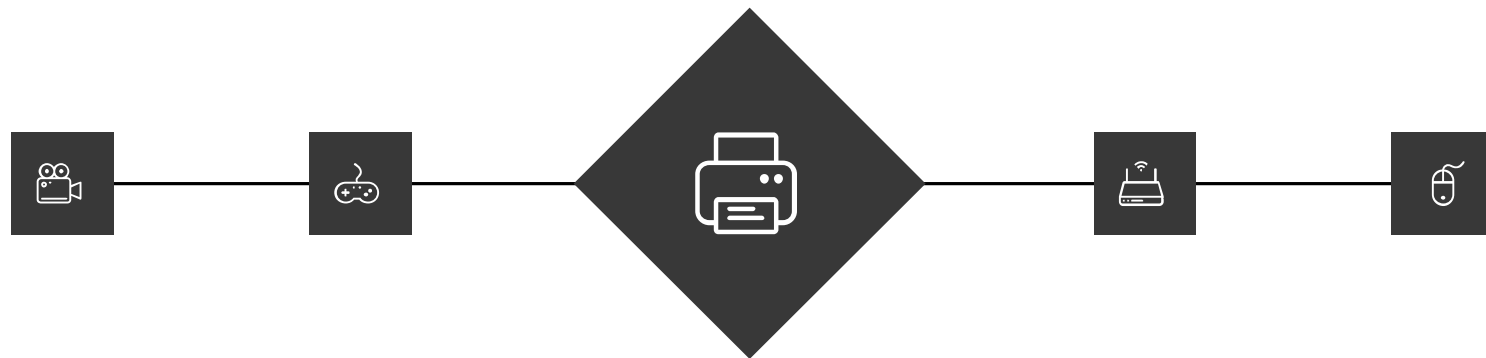
Tejgaon, Dhaka



Silicone Repairing Work



# *Glass Craft Engineering*



Prepared by Glass Craft Engineering Limited

House: 912, 3rd floor, Road: 12, Avenue: 2, Mirpur DOHS, Dhaka 1216, Bangladesh.

[info@gcebd.com](mailto:info@gcebd.com), contact: +8801714339056, +8801847330001, +8801847330002